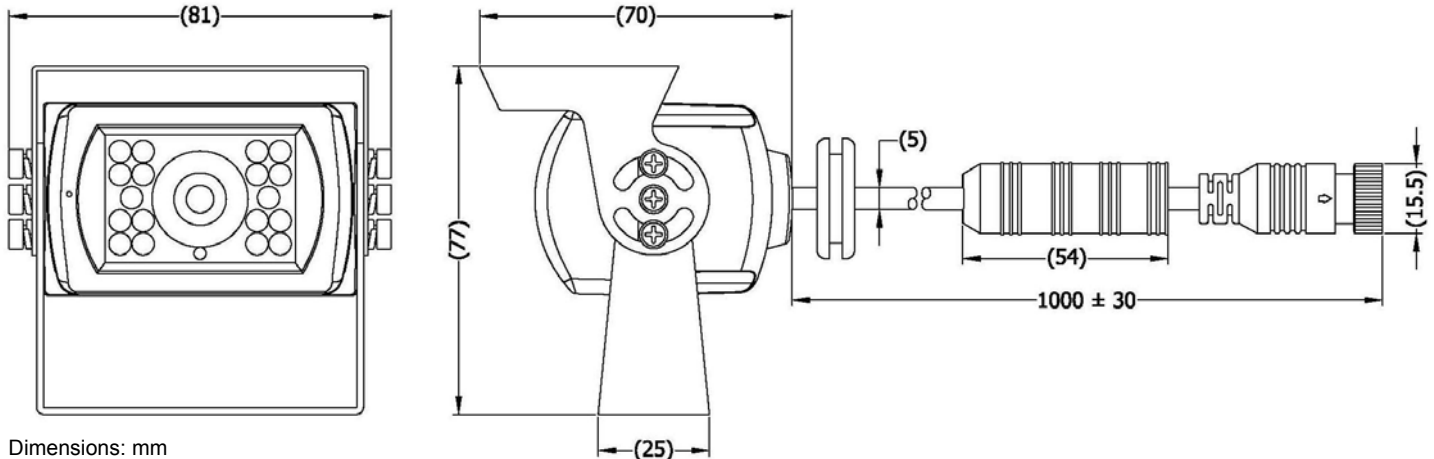


# Product Specification



Brigade Model Number: VBV-700C / VBV-701C / VBV-790C / VBV-791C

Brigade Part Number: 1379B / 2575A / 2724A / 2842A



Dimensions: mm

## Product Specification

### Environmental Specifications:

- Shock Rating: 100 G
- Vibration Rating: 10 G
- Camera IP Rating: IP69K
- Connector IP Rating: IP67
- Operating Temperature: -20° to +70°C
- Storage Temperature: -30° to +80°C

### Approved Standards:

- CE - (EN 61000-6-1:2007 / EN 61000-6-3:2007)
- 'e' Mark - (2009/19/EC)
- FCC - (47 CFR Part 15 Subpart B)
- HALT
- Ingress Protection - (ISO 20653:2006)
- RoHS
- WEEE

### Technical Specifications:

- Operating Voltage: 12 Vdc
- Current Consumption: 200mA @ 12 Vdc
- Power Consumption: 2.4 Watts @ 12 Vdc
- Imaging Devices: CCD - 1/3" Sharp  
DSP - Sharp
- TV System:
  - VBV-700C / VBV-790C PAL
  - VBV-701C / VBV-791C NTSC
- Picture Elements: 512 (H) x 582 (V)
- Visual Resolution: 420 TV Lines
- Lens Focal Length: 3.0mm
- Signal to Noise Ratio: TBC
- Required Illumination: 0 Lux (IR LED ON)
- Illumination Distance: 15 Metres

### Technical Specifications Continued...

- Viewing Angle: 84° (H), 64° (V), 110° (D)
- Weight: 350 Grams
- Video Output: 1.0 Vp-p / 75Ω
- Length of Cable: 1000 ± 30mm
- Overall Dimensions: 81mm (W) x 70mm (D) x 77mm (H)
- Casing Material: Aluminium Alloy
- View: Mirror
- Finish: Black Powder Coating

### Features:

- Back Light Compensation
- Automatic White Balance
- Fixed IRIS
- 18x High Power Infrared LEDs
- Integrated Day/Night Sensor
- VBV Type Connector
- High Quality Sharp CCD & DSP
- VBV-700C / VBV-701C - Integrated Microphone

### Package Contents:

- 1 x VBV-70XC/79XC-C - Camera
- 1 x VBV-7/1XXC-BKT - Bracket
- 1 x VBV-7/1XXC-SS - Sunshield
- 1 x VBV-7/1XXC-FIX - Fixing Pack
- 1 x VBV-790/700C-IG - Installation Guide

